



# BEARING UNITS

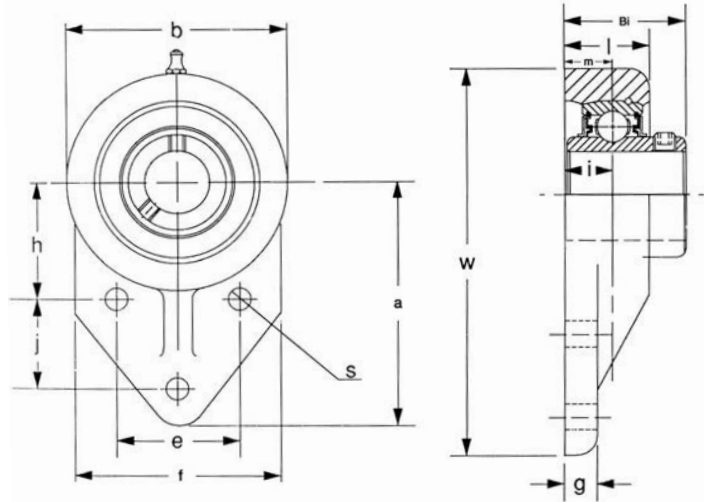


## THREE BOLT FLANGE BRACKET UNITS -Metric Bolt Hole Spacing

### UCFK 200 Series

Normal Duty

Set Screw Locking



Unit No.	Shaft Dia.		Dimensions inch / mm												Bolt Size	Bearing No.	Housing No.	Weight lbs / kg	
	In.	mm	w	h	e	j	i	g	l	s	b	f	z	Bi					n
UCFK 201-8 202-10 204 204-12	1/2	20	4-11/32 110.3	1-21/32 42.1	1-1/4 31.8	1-1/16 27.0	19/32 15.1	1/2 12.7	1 25.4	13/32 10.3	2-7/16 61.9	2-1/16 52.4	1-5/16 33.3	1.220 31.0	0.500 12.7	5/16 M8	UC 201-8	FK 204	1.32 0.60
	5/8																UC 202-10		
	3/4																UC 204		
	3/4																UC 204-12		
UCFK 205	7/8	25	4-9/16 115.9	1-25/32 45.2	1-11/32 34.1	1-1/16 27.0	5/8 15.9	1/2 12.7	1-1/16 27.0	13/32 10.3	2-11/16 68.3	2-7/32 56.4	1-13/32 35.7	1.339 34.0	0.563 14.3	5/16 M8	UC 205	FK 205	1.45 0.66
	15/16																UC 205-14		
	1																UC 205-15		
	1																UC 205-16		
UCFK 206	1-1/16	30	5-1/8 130.2	1-31/32 50.0	1-9/16 39.7	1-3/16 30.2	23/32 18.3	1/2 12.7	1-1/4 31.8	13/32 10.3	3-5/64 78.2	2-9/16 65.1	1-37/64 40.1	1.500 38.1	0.626 15.9	5/16 M8	UC 206	FK 206	2.05 0.93
	1-1/8																UC 206-17		
	1-3/16																UC 206-18		
	1-1/4S																UC 206-19 206-20		
UCFK 207	1-1/4	35	5-11/16 144.5	2-11/64 55.2	1-13/16 46.0	1-1/4 31.8	3/4 19.1	19/32 15.1	1-11/32 34.1	13/32 10.3	3-35/64 90.1	2-3/4 69.9	1-3/4 44.5	1.689 42.9	0.689 17.5	5/16 M8	UC 207	FK 207	2.86 1.30
	1-5/16																UC 207-20		
	1-3/8																UC 207-21		
	1-7/16																UC 207-22 207-23		
UCFK 208	1-1/2	40	6-7/16 163.5	2-3/8 60.3	1-31/32 50.0	1-5/8 41.3	13/16 20.6	5/8 15.9	1-13/32 35.7	15/32 11.9	3-15/16 100.0	3-5/64 78.2	2-1/64 51.2	1.937 49.2	0.748 19.0	3/8 M10	UC 208	FK 208	3.74 1.70
	1-9/16																UC 208-24		
	1-9/16																UC 208-25		
UCFK 209	1-5/8	45	6-27/32 173.8	2-9/16 65.1	2-1/8 54.0	1-11/16 42.9	7/8 22.2	23/32 18.3	1-1/2 38.1	15/32 11.9	4-11/64 106.0	3-5/32 80.2	2-1/16 52.4	1.937 49.2	0.748 19.0	3/8 M10	UC 209	FK 209	4.18 1.90
	1-11/16																UC 209-26		
	1-3/4																UC 209-27 209-28		
UCFK 210	1-7/8	50	7-1/4 184.2	2-11/16 68.3	2-9/32 57.9	1-13/16 46.0	7/8 22.2	23/32 18.3	1-9/16 39.7	15/32 11.9	4-13/32 111.9	3-25/64 86.1	2-5/32 54.8	2.031 51.6	0.748 19.0	3/8 M10	UC 210	FK 210	4.84 2.20
	1-15/16																UC 210-30		
	2S																UC 210-31		
	2S																UC 210-32		